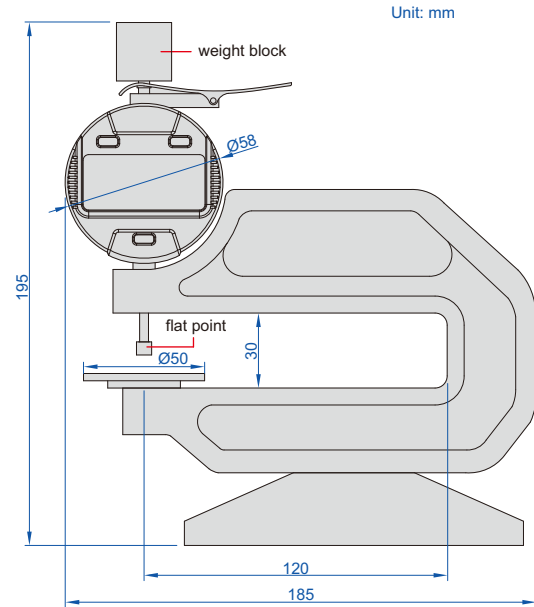


## DIGITAL RUBBER THICKNESS GAUGES

DATA  
OUTPUT



2263-6B



- Measure thickness of vulcanized rubber and plastic products
- Button function: on/off, inch/mm, zero, data preset, change measuring direction, absolute/incremental measurement
- Keep preset data in memory after restart
- CR2032 battery, automatic power off (time is adjustable)
- Data output
- Optional accessory: data output cable (code **7315-50M**, **7302-50M**), flat points, weight blocks

Code	Range	Resolution	Accuracy	Flat point diameter	Pressure
2263-6A	0-10mm/0-0.4"	0.01mm/0.0005"	20µm	6mm	22kPa±5kPa
2263-6B	0-10mm/0-0.4"	0.001mm/0.00005"	5µm	6mm	22kPa±5kPa

### Flat points and weight blocks (Optional)

Flat point diameter	Flat point code	Pressure				
		10kPa±2kPa	22kPa±5kPa	20kPa±3kPa	70kPa±5kPa	1.6kPa±0.1kPa
		Weight block code	Weight block code	Weight block code	Weight block code	Weight block code
4mm	2878-P4	—	2878-W4B	—	—	—
5mm	2878-P5	2878-W5A	2878-W5B	2878-W5C	2878-W5D	—
6mm	2878-P6	2878-W6A	2878-W6B	—	—	—
8mm	2878-P8	2878-W8A	2878-W8B	—	—	—
10mm	2878-P10	2878-W10A	2878-W10B	2878-W10C	—	—
25mm	2878-P25	—	—	—	—	2878-W25E
1x4mm (rectangle)	2878-P14	—	—	—	2878-W14D	—