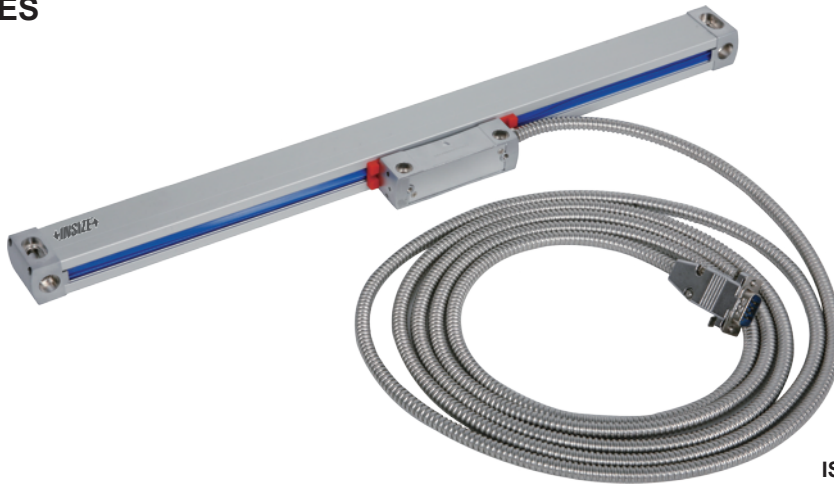


LINEAR SCALES

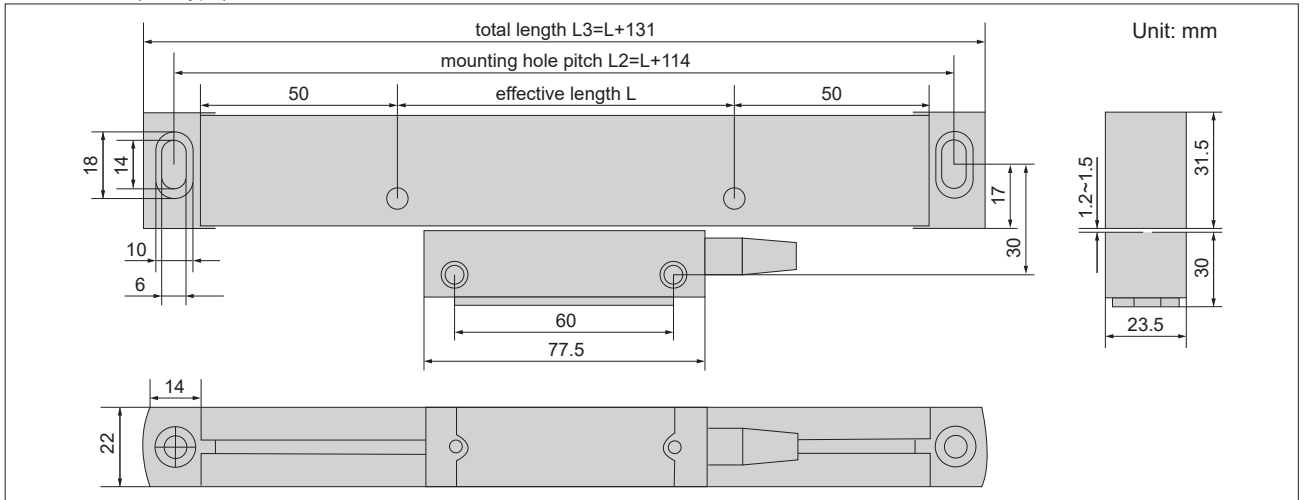
IP53
WATERPROOF



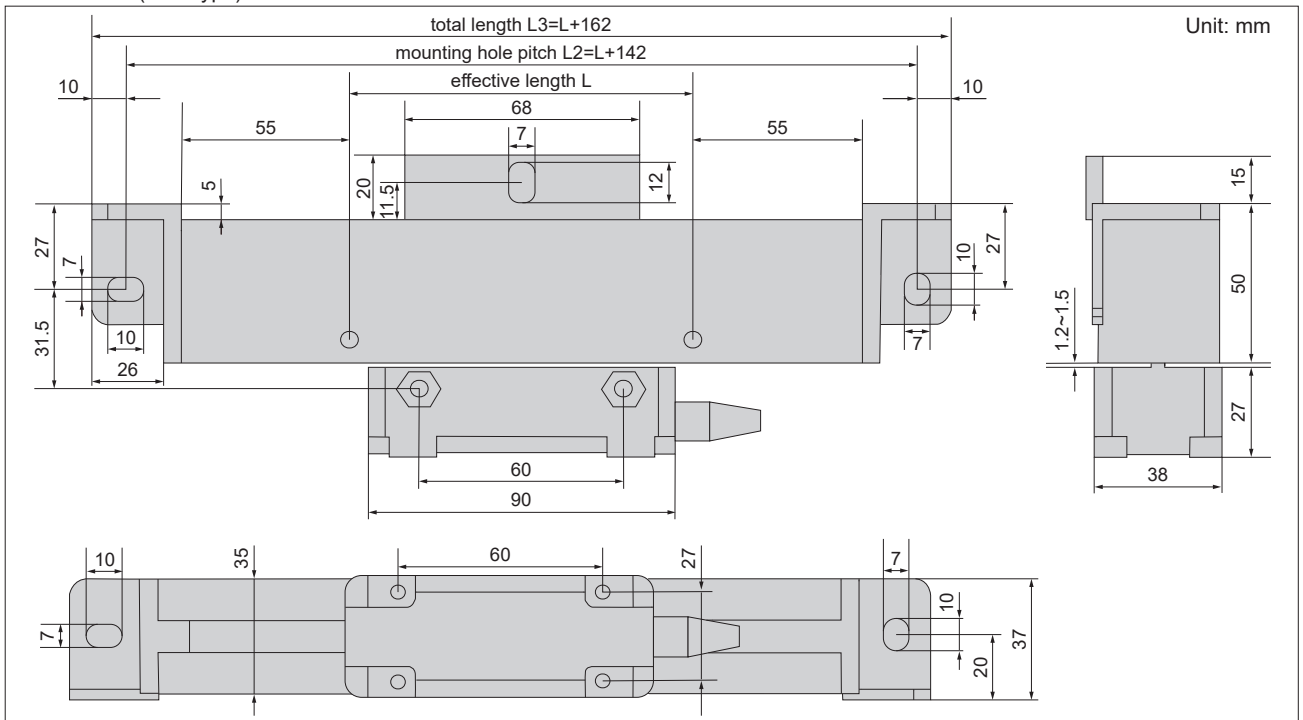
ISL-F400-5T

- Connected to digital display box or PLC

Series ISL-F (thin type)



Series ISL-G (thick type)



SPECIFICATION

Code	Series ISL-F (thin type)	Series ISL-G (thick type)
Max. travel length L1	L+100mm (L is effective length)	L+110mm (L is the effective length*)
Mounting hole pitch L2	L+114mm	L+142mm
Total length L3	L+131mm	L+162mm
Thickness	22mm	35mm
Max. response speed	60m/min	
Scale grating pitch	20μm	
Scale reference point pitch	50mm	
Accuracy	±0.008mm (L≤200mm), ±0.010mm (200<L≤500mm), ±0.015mm (500<L≤1000mm), ±0.050mm (1000<L≤1500mm), ±0.080mm (1500<L≤2000mm), ±0.120mm (2000<L≤3000mm), L is the effective length	
Cable length	3.5m (L:50-950mm), 5m (L:1000-1500mm), 10m (L:1600-3200mm)	
Power supply	5V±5% (when the output signal is HTL, the power supply can be customised to 12V±5%, 15V±5%, 18V±5% and 24V±5%)	
Socket **	DB9	
Operation environment	0~50°C	
Storage environment	-20~70°C	
Dust/waterproof	IP53	

* The effective length of series ISL-G can be customised up to 6000mm.

** Sockets can be customised to 7-pin round plug, DB15 and 9-pin round M23 plug.

*** Output signals can be customised to 1Vpp and 11μApp

Series ISL-F (thin type)

Effective length (L)	Code								
	Output signal TTL***			Output signal HTL***			Output signal RS422***		
	Resolution 0.5μm	Resolution 1μm	Resolution 5μm	Resolution 0.5μm	Resolution 1μm	Resolution 5μm	Resolution 0.5μm	Resolution 1μm	Resolution 5μm
50mm	ISL-F50-05T	ISL-F50-1T	ISL-F50-5T	ISL-F50-05H	ISL-F50-1H	ISL-F50-5H	ISL-F50-05R	ISL-F50-1R	ISL-F50-5R
100mm	ISL-F100-05T	ISL-F100-1T	ISL-F100-5T	ISL-F100-05H	ISL-F100-1H	ISL-F100-5H	ISL-F100-05R	ISL-F100-1R	ISL-F100-5R
150mm	ISL-F150-05T	ISL-F150-1T	ISL-F150-5T	ISL-F150-05H	ISL-F150-1H	ISL-F150-5H	ISL-F150-05R	ISL-F150-1R	ISL-F150-5R
200mm	ISL-F200-05T	ISL-F200-1T	ISL-F200-5T	ISL-F200-05H	ISL-F200-1H	ISL-F200-5H	ISL-F200-05R	ISL-F200-1R	ISL-F200-5R
250mm	ISL-F250-05T	ISL-F250-1T	ISL-F250-5T	ISL-F250-05H	ISL-F250-1H	ISL-F250-5H	ISL-F250-05R	ISL-F250-1R	ISL-F250-5R
300mm	ISL-F300-05T	ISL-F300-1T	ISL-F300-5T	ISL-F300-05H	ISL-F300-1H	ISL-F300-5H	ISL-F300-05R	ISL-F300-1R	ISL-F300-5R
350mm	ISL-F350-05T	ISL-F350-1T	ISL-F350-5T	ISL-F350-05H	ISL-F350-1H	ISL-F350-5H	ISL-F350-05R	ISL-F350-1R	ISL-F350-5R
400mm	ISL-F400-05T	ISL-F400-1T	ISL-F400-5T	ISL-F400-05H	ISL-F400-1H	ISL-F400-5H	ISL-F400-05R	ISL-F400-1R	ISL-F400-5R
450mm	ISL-F450-05T	ISL-F450-1T	ISL-F450-5T	ISL-F450-05H	ISL-F450-1H	ISL-F450-5H	ISL-F450-05R	ISL-F450-1R	ISL-F450-5R
500mm	ISL-F500-05T	ISL-F500-1T	ISL-F500-5T	ISL-F500-05H	ISL-F500-1H	ISL-F500-5H	ISL-F500-05R	ISL-F500-1R	ISL-F500-5R
550mm	ISL-F550-05T	ISL-F550-1T	ISL-F550-5T	ISL-F550-05H	ISL-F550-1H	ISL-F550-5H	ISL-F550-05R	ISL-F550-1R	ISL-F550-5R
600mm	ISL-F600-05T	ISL-F600-1T	ISL-F600-5T	ISL-F600-05H	ISL-F600-1H	ISL-F600-5H	ISL-F600-05R	ISL-F600-1R	ISL-F600-5R
650mm	ISL-F650-05T	ISL-F650-1T	ISL-F650-5T	ISL-F650-05H	ISL-F650-1H	ISL-F650-5H	ISL-F650-05R	ISL-F650-1R	ISL-F650-5R
700mm	ISL-F700-05T	ISL-F700-1T	ISL-F700-5T	ISL-F700-05H	ISL-F700-1H	ISL-F700-5H	ISL-F700-05R	ISL-F700-1R	ISL-F700-5R
750mm	ISL-F750-05T	ISL-F750-1T	ISL-F750-5T	ISL-F750-05H	ISL-F750-1H	ISL-F750-5H	ISL-F750-05R	ISL-F750-1R	ISL-F750-5R
800mm	ISL-F800-05T	ISL-F800-1T	ISL-F800-5T	ISL-F800-05H	ISL-F800-1H	ISL-F800-5H	ISL-F800-05R	ISL-F800-1R	ISL-F800-5R
850mm	ISL-F850-05T	ISL-F850-1T	ISL-F850-5T	ISL-F850-05H	ISL-F850-1H	ISL-F850-5H	ISL-F850-05R	ISL-F850-1R	ISL-F850-5R
900mm	ISL-F900-05T	ISL-F900-1T	ISL-F900-5T	ISL-F900-05H	ISL-F900-1H	ISL-F900-5H	ISL-F900-05R	ISL-F900-1R	ISL-F900-5R
950mm	ISL-F950-05T	ISL-F950-1T	ISL-F950-5T	ISL-F950-05H	ISL-F950-1H	ISL-F950-5H	ISL-F950-05R	ISL-F950-1R	ISL-F950-5R
1000mm	ISL-F1000-05T	ISL-F1000-1T	ISL-F1000-5T	ISL-F1000-05H	ISL-F1000-1H	ISL-F1000-5H	ISL-F1000-05R	ISL-F1000-1R	ISL-F1000-5R

Series ISL-G (thick type)

Effective length (L)	Code								
	Output signal TTL***			Output signal HTL***			Output signal RS422***		
	Resolution 0.5µm	Resolution 1µm	Resolution 5µm	Resolution 0.5µm	Resolution 1µm	Resolution 5µm	Resolution 0.5µm	Resolution 1µm	Resolution 5µm
50mm	ISL-G50-05T	ISL-G50-1T	ISL-G50-5T	ISL-G50-05H	ISL-G50-1H	ISL-G50-5H	ISL-G50-05R	ISL-G50-1R	ISL-G50-5R
100mm	ISL-G100-05T	ISL-G100-1T	ISL-G100-5T	ISL-G100-05H	ISL-G100-1H	ISL-G100-5H	ISL-G100-05R	ISL-G100-1R	ISL-G100-5R
150mm	ISL-G150-05T	ISL-G150-1T	ISL-G150-5T	ISL-G150-05H	ISL-G150-1H	ISL-G150-5H	ISL-G150-05R	ISL-G150-1R	ISL-G150-5R
200mm	ISL-G200-05T	ISL-G200-1T	ISL-G200-5T	ISL-G200-05H	ISL-G200-1H	ISL-G200-5H	ISL-G200-05R	ISL-G200-1R	ISL-G200-5R
250mm	ISL-G250-05T	ISL-G250-1T	ISL-G250-5T	ISL-G250-05H	ISL-G250-1H	ISL-G250-5H	ISL-G250-05R	ISL-G250-1R	ISL-G250-5R
300mm	ISL-G300-05T	ISL-G300-1T	ISL-G300-5T	ISL-G300-05H	ISL-G300-1H	ISL-G300-5H	ISL-G300-05R	ISL-G300-1R	ISL-G300-5R
350mm	ISL-G350-05T	ISL-G350-1T	ISL-G350-5T	ISL-G350-05H	ISL-G350-1H	ISL-G350-5H	ISL-G350-05R	ISL-G350-1R	ISL-G350-5R
400mm	ISL-G400-05T	ISL-G400-1T	ISL-G400-5T	ISL-G400-05H	ISL-G400-1H	ISL-G400-5H	ISL-G400-05R	ISL-G400-1R	ISL-G400-5R
450mm	ISL-G450-05T	ISL-G450-1T	ISL-G450-5T	ISL-G450-05H	ISL-G450-1H	ISL-G450-5H	ISL-G450-05R	ISL-G450-1R	ISL-G450-5R
500mm	ISL-G500-05T	ISL-G500-1T	ISL-G500-5T	ISL-G500-05H	ISL-G500-1H	ISL-G500-5H	ISL-G500-05R	ISL-G500-1R	ISL-G500-5R
550mm	ISL-G550-05T	ISL-G550-1T	ISL-G550-5T	ISL-G550-05H	ISL-G550-1H	ISL-G550-5H	ISL-G550-05R	ISL-G550-1R	ISL-F550-5R
600mm	ISL-G600-05T	ISL-G600-1T	ISL-G600-5T	ISL-G600-05H	ISL-G600-1H	ISL-G600-5H	ISL-G600-05R	ISL-G600-1R	ISL-G600-5R
650mm	ISL-G650-05T	ISL-G650-1T	ISL-G650-5T	ISL-G650-05H	ISL-G650-1H	ISL-G650-5H	ISL-G650-05R	ISL-G650-1R	ISL-G650-5R
700mm	ISL-G700-05T	ISL-G700-1T	ISL-G700-5T	ISL-G700-05H	ISL-G700-1H	ISL-G700-5H	ISL-G700-05R	ISL-G700-1R	ISL-G700-5R
750mm	ISL-G750-05T	ISL-G750-1T	ISL-G750-5T	ISL-G750-05H	ISL-G750-1H	ISL-G750-5H	ISL-G750-05R	ISL-G750-1R	ISL-G750-5R
800mm	ISL-G800-05T	ISL-G800-1T	ISL-G800-5T	ISL-G800-05H	ISL-G800-1H	ISL-G800-5H	ISL-G800-05R	ISL-G800-1R	ISL-G800-5R
850mm	ISL-G850-05T	ISL-G850-1T	ISL-G850-5T	ISL-G850-05H	ISL-G850-1H	ISL-G850-5H	ISL-G850-05R	ISL-G850-1R	ISL-G850-5R
900mm	ISL-G900-05T	ISL-G900-1T	ISL-G900-5T	ISL-G900-05H	ISL-G900-1H	ISL-G900-5H	ISL-G900-05R	ISL-G900-1R	ISL-G900-5R
950mm	ISL-G950-05T	ISL-G950-1T	ISL-G950-5T	ISL-G950-05H	ISL-G950-1H	ISL-G950-5H	ISL-G950-05R	ISL-G950-1R	ISL-G950-5R
1000mm	ISL-G1000-05T	ISL-G1000-1T	ISL-G1000-5T	ISL-G1000-05H	ISL-G1000-1H	ISL-G1000-5H	ISL-G1000-05R	ISL-G1000-1R	ISL-G1000-5R
1100mm	ISL-G1100-05T	ISL-G1100-1T	ISL-G1100-5T	ISL-G1100-05H	ISL-G1100-1H	ISL-G1100-5H	ISL-G1100-05R	ISL-G1100-1R	ISL-G1100-5R
1200mm	ISL-G1200-05T	ISL-G1200-1T	ISL-G1200-5T	ISL-G1200-05H	ISL-G1200-1H	ISL-G1200-5H	ISL-G1200-05R	ISL-G1200-1R	ISL-G1200-5R
1300mm	ISL-G1300-05T	ISL-G1300-1T	ISL-G1300-5T	ISL-G1300-05H	ISL-G1300-1H	ISL-G1300-5H	ISL-G1300-05R	ISL-G1300-1R	ISL-G1300-5R
1400mm	ISL-G1400-05T	ISL-G1400-1T	ISL-G1400-5T	ISL-G1400-05H	ISL-G1400-1H	ISL-G1400-5H	ISL-G1400-05R	ISL-G1400-1R	ISL-G1400-5R
1500mm	ISL-G1500-05T	ISL-G1500-1T	ISL-G1500-5T	ISL-G1500-05H	ISL-G1500-1H	ISL-G1500-5H	ISL-G1500-05R	ISL-G1500-1R	ISL-G1500-5R
1600mm	ISL-G1600-05T	ISL-G1600-1T	ISL-G1600-5T	ISL-G1600-05H	ISL-G1600-1H	ISL-G1600-5H	ISL-G1600-05R	ISL-G1600-1R	ISL-G1600-5R
1700mm	ISL-G1700-05T	ISL-G1700-1T	ISL-G1700-5T	ISL-G1700-05H	ISL-G1700-1H	ISL-G1700-5H	ISL-G1700-05R	ISL-G1700-1R	ISL-G1700-5R
1800mm	ISL-G1800-05T	ISL-G1800-1T	ISL-G1800-5T	ISL-G1800-05H	ISL-G1800-1H	ISL-G1800-5H	ISL-G1800-05R	ISL-G1800-1R	ISL-G1800-5R
1900mm	ISL-G1900-05T	ISL-G1900-1T	ISL-G1900-5T	ISL-G1900-05H	ISL-G1900-1H	ISL-G1900-5H	ISL-G1900-05R	ISL-G1900-1R	ISL-G1900-5R
2000mm	ISL-G2000-05T	ISL-G2000-1T	ISL-G2000-5T	ISL-G2000-05H	ISL-G2000-1H	ISL-G2000-5H	ISL-G2000-05R	ISL-G2000-1R	ISL-G2000-5R
2100mm	ISL-G2100-05T	ISL-G2100-1T	ISL-G2100-5T	ISL-G2100-05H	ISL-G2100-1H	ISL-G2100-5H	ISL-G2100-05R	ISL-G2100-1R	ISL-G2100-5R
2200mm	ISL-G2200-05T	ISL-G2200-1T	ISL-G2200-5T	ISL-G2200-05H	ISL-G2200-1H	ISL-G2200-5H	ISL-G2200-05R	ISL-G2200-1R	ISL-G2200-5R
2300mm	ISL-G2300-05T	ISL-G2300-1T	ISL-G2300-5T	ISL-G2300-05H	ISL-G2300-1H	ISL-G2300-5H	ISL-G2300-05R	ISL-G2300-1R	ISL-G2300-5R
2400mm	ISL-G2400-05T	ISL-G2400-1T	ISL-G2400-5T	ISL-G2400-05H	ISL-G2400-1H	ISL-G2400-5H	ISL-G2400-05R	ISL-G2400-1R	ISL-G2400-5R
2500mm	ISL-G2500-05T	ISL-G2500-1T	ISL-G2500-5T	ISL-G2500-05H	ISL-G2500-1H	ISL-G2500-5H	ISL-G2500-05R	ISL-G2500-1R	ISL-G2500-5R
2600mm	ISL-G2600-05T	ISL-G2600-1T	ISL-G2600-5T	ISL-G2600-05H	ISL-G2600-1H	ISL-G2600-5H	ISL-G2600-05R	ISL-G2600-1R	ISL-G2600-5R
2700mm	ISL-G2700-05T	ISL-G2700-1T	ISL-G2700-5T	ISL-G2700-05H	ISL-G2700-1H	ISL-G2700-5H	ISL-G2700-05R	ISL-G2700-1R	ISL-G2700-5R
2800mm	ISL-G2800-05T	ISL-G2800-1T	ISL-G2800-5T	ISL-G2800-05H	ISL-G2800-1H	ISL-G2800-5H	ISL-G2800-05R	ISL-G2800-1R	ISL-G2800-5R
2900mm	ISL-G2900-05T	ISL-G2900-1T	ISL-G2900-5T	ISL-G2900-05H	ISL-G2900-1H	ISL-G2900-5H	ISL-G2900-05R	ISL-G2900-1R	ISL-G2900-5R
3000mm	ISL-G3000-05T	ISL-G3000-1T	ISL-G3000-5T	ISL-G3000-05H	ISL-G3000-1H	ISL-G3000-5H	ISL-G3000-05R	ISL-G3000-1R	ISL-G3000-5R